



*Congratulations & thank you for installing the LouvreKit system... your mates will love you for it!*

The New Zealand market has been revolutionised, with the newly designed LouvreKit™ system. At the turn of a handle your roof opens up to reveal a starry sky or a warming sun, making a LouvreKit™ system the ideal choice for your outdoor living area and the envy of all your friends and mates!

The LouvreKit™ system is designed with longevity, serviceability and style in mind. The design ensures that all moving parts are tucked away out of sight.



**STEP BY STEP ASSEMBLY INSTRUCTIONS**

1. Remove louvre from the box. Be careful not to knock or damage the powder coating.



2. Cut and remove the plastic wrap from the perimeter beams. Leave the plastic wrap placed underneath for protection.

3. Place the beams on the supplied blocks of 40x40 timber in the desired location on level ground. Ensure correct orientation of the beams. The beam with the pins protruding out of it should be away from the house. This is the 'low' side the water falls to.



4. Line up the staking angles (corners) as shown above.

5. Slide the sections together pushing the staking angles firmly into the corresponding slots.



6. Make sure to keep both sections flush, before screwing together.



7. Using a 4mm drill bit, pre-drill the pre countersunk holes prior to inserting screw 'A'.



8. Insert Screw 'A' into all four corners.

9. Sand a strip approx 100mm wide on the mitred gutter joins using the 120 grit sandpaper provided.



10. Wipe the mitred joints with a rag to remove ALL dust and any drill filings. It is essential the gutter mitres are free of all debris to ensure a watertight join.

11. Carefully apply the supplied sealant to all mitres. Make sure the sealant is covering the join in its entirety, as below.



12. Smooth out the sealant, ensuring there are no gaps or holes. This will create a watertight join.

13. Place the louvre into the exact desired position.



14. Carefully square down off the sides of the louvre to transfer a mark for the corners of the louvre onto the surface below. Once complete, move the louvre diagonally sideways to allow the leg spigot to be bolted down.

15. Put the transparent base plate template on the ground and line up the middle square with the marks on the ground from step 8 (14). Mark the four corner holes to drill.



16. With your holes marked on the surface, drill all four holes out.

17. Install supplied fixings through the base plate into the main fixing surface. (ie: concrete, timber).



NOTE: \*Install the base plate level. This will ensure the legs can be installed plumb.

18. Bolt the four posts into position and tighten up all four bolts to complete the post fixings.

11



19. NOTE: Ensure the base plate is installed level so the post sits plumb.

20. Position lifters under louvre frame as below. TIP: Lifters can be hired from local hire outlets to help with frame lifting if required.

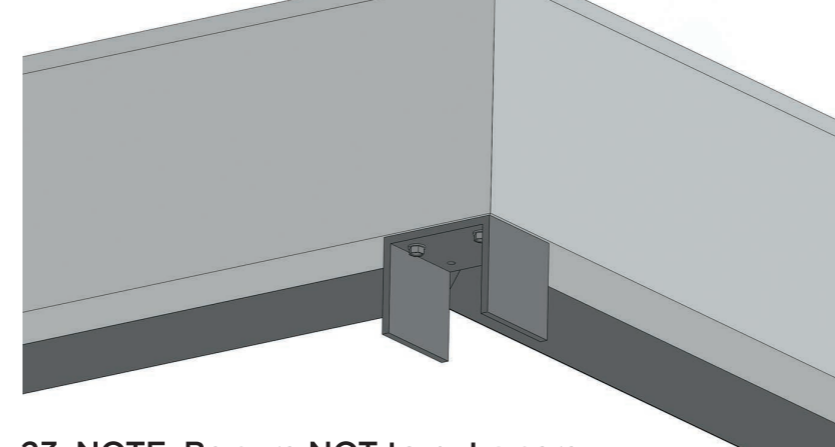
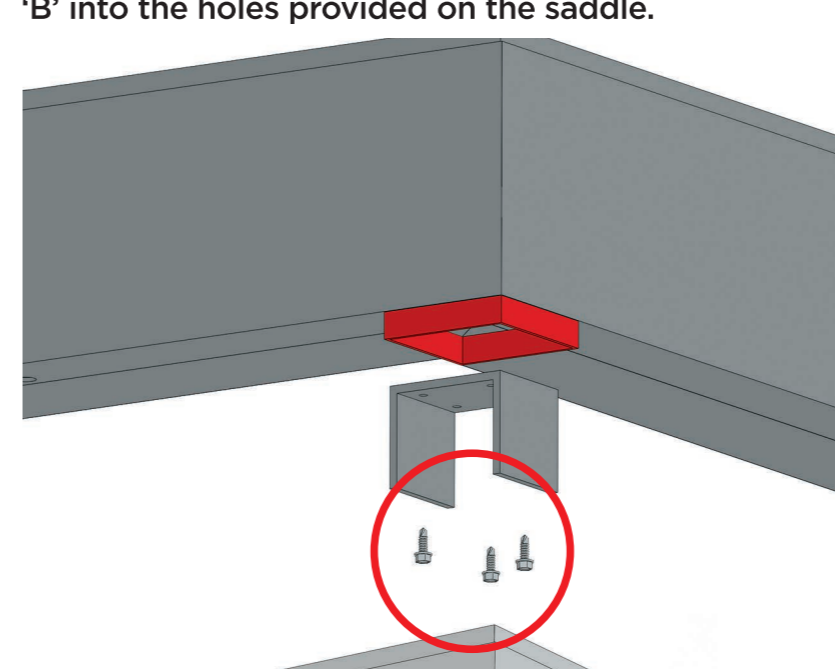
12



21. Lift the frame to be able to install the leg saddles to the underside of the louvre frame.

22. Position the leg saddle template as per picture and line up two sides flush with the outside of the louvre. Install three of screw 'B' into the holes provided on the saddle.

13



23. NOTE: Be sure NOT to put a screw through the hole that is below the gutter. Remove the saddle template and repeat on all four legs.

24. Slide the leg over the leg spigot previously installed. Pre-drill through the pre-countersunk holes into the leg spigot.

14



25. Install the four screws in each leg by using screw 'A' in the pre drilled and countersunk holes.

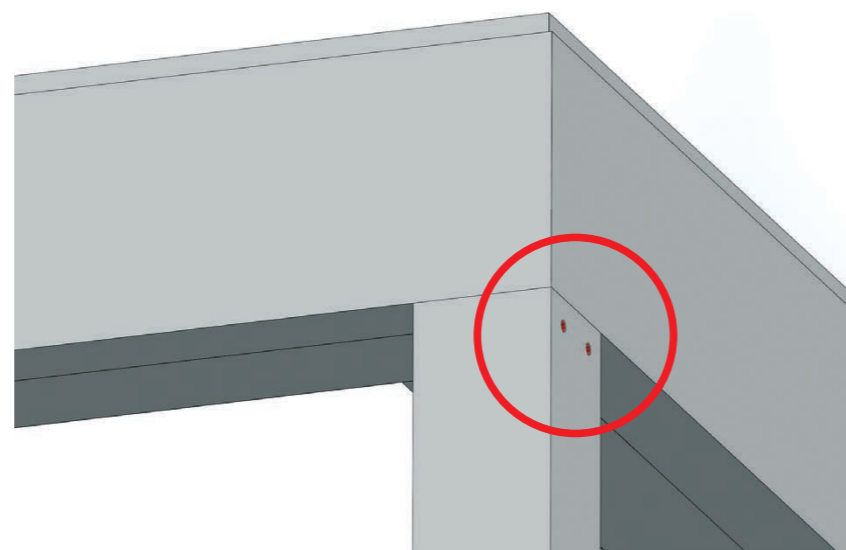
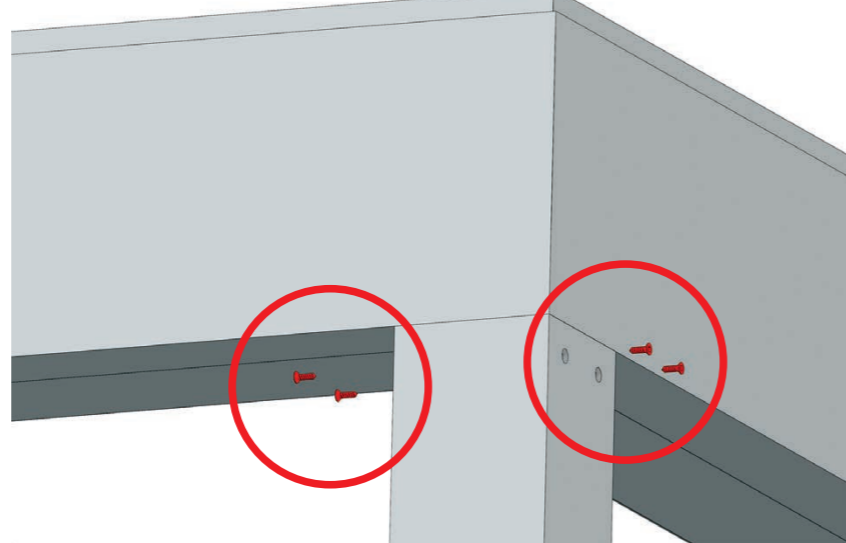
26. Carefully lower the louvre frame down onto the legs. Ensure all four leg saddles are lined up and fit inside the louvre legs.

15



27. Insert two screws into each side of the pre drilled and pre-countersunk leg.

16

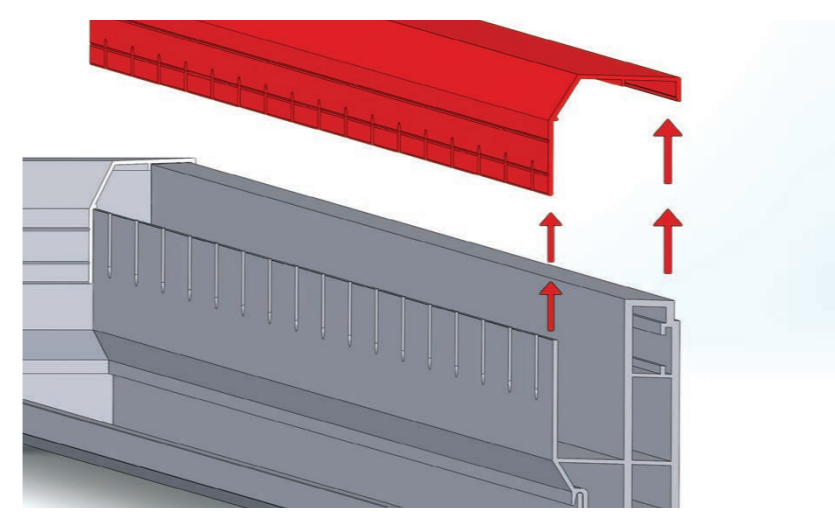
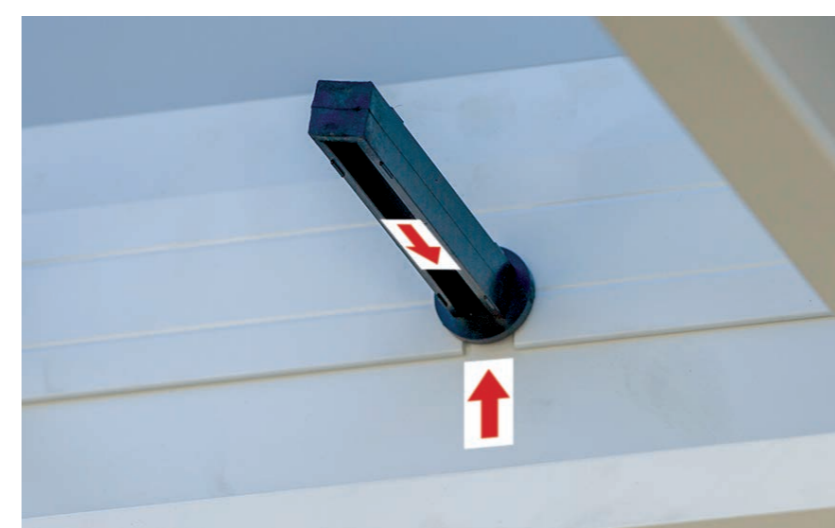


28. Repeat for all four legs

FIN/BLADE ASSEMBLY INSTRUCTIONS

29. **IMPORTANT:** Ensure the pins are in the 'OPEN' position. The two pointing arrow stickers indicate the correct position. If these arrows are not lining up - use the winder handle to adjust.

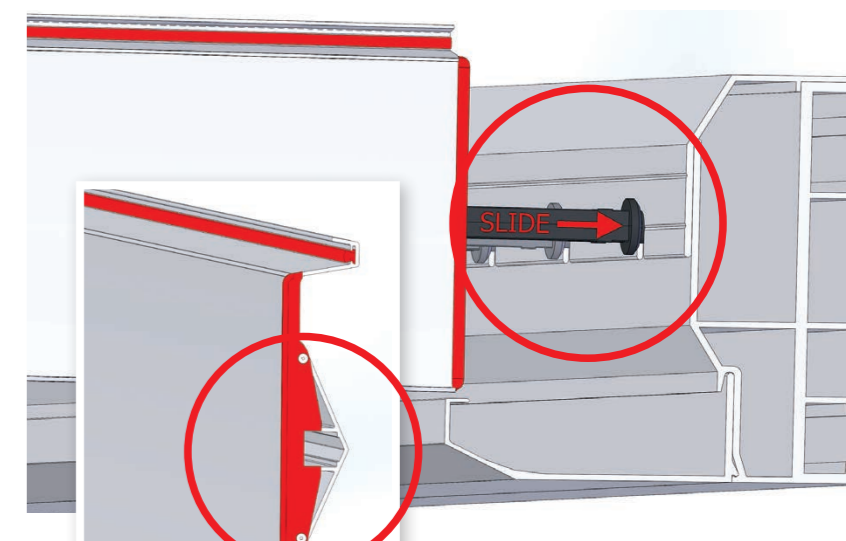
17



Remove the idle side cover (opposite side to the pins protruding out) and place to the side. This allows fins to be fitted.

30. Line up the plastic pin with the square hole in the end section of the fin as shown below. Ensure the lip with the felt in it, is facing vertically upwards as highlighted below. Once in the correct position and lined up - slide the fin on, in the vertical position.

18



31. Sit the louvre pin down into the slot at the opposite end as shown.

32. Ensure the louvre pins are in the 'open' position and slide the remaining fins onto the pins. Be sure they are orientated correctly.

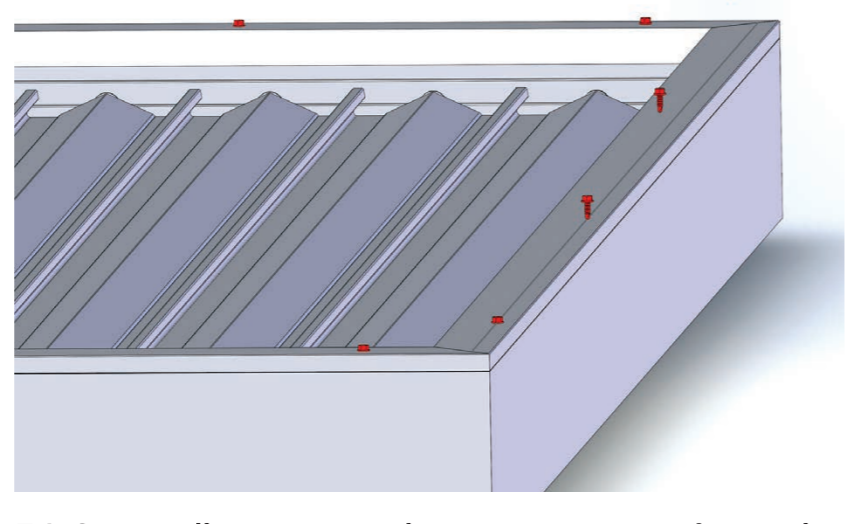
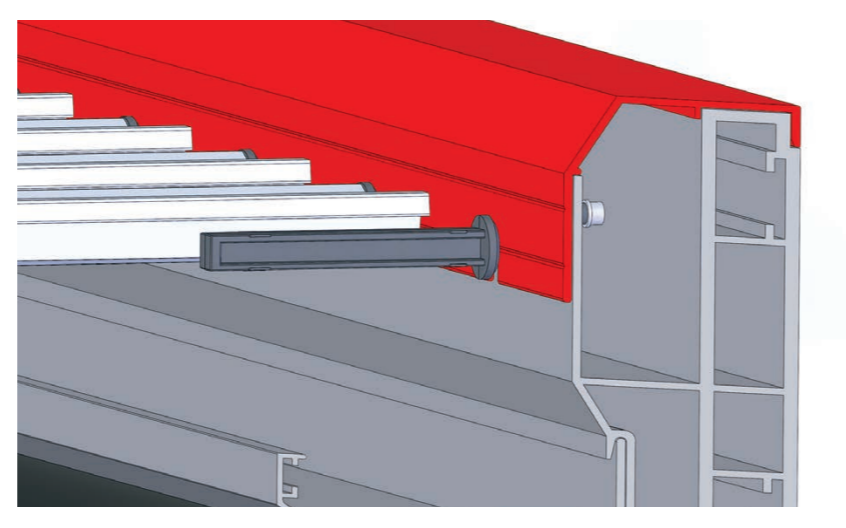
19



NOTE: The fin installation process is generally a simple two person step.

33. Fit the idle side cover back on, over the newly installed fins. Ensure the cover slots slide down into the correct position over the fins as per picture below.

20

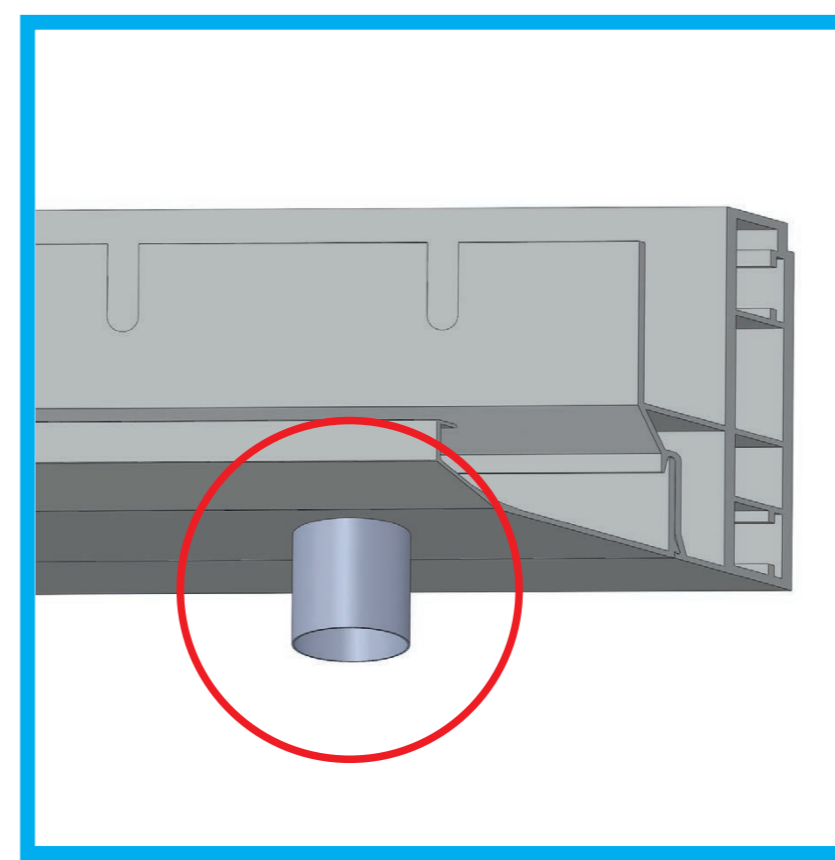


34. Screw all top covers down at one metre intervals using screw 'C'. These screws go on the swage line imprinted into the aluminium as per picture above.

35. NOTE: The water dropper (supplied) is to be placed where a suitable corner for drainage is possible.

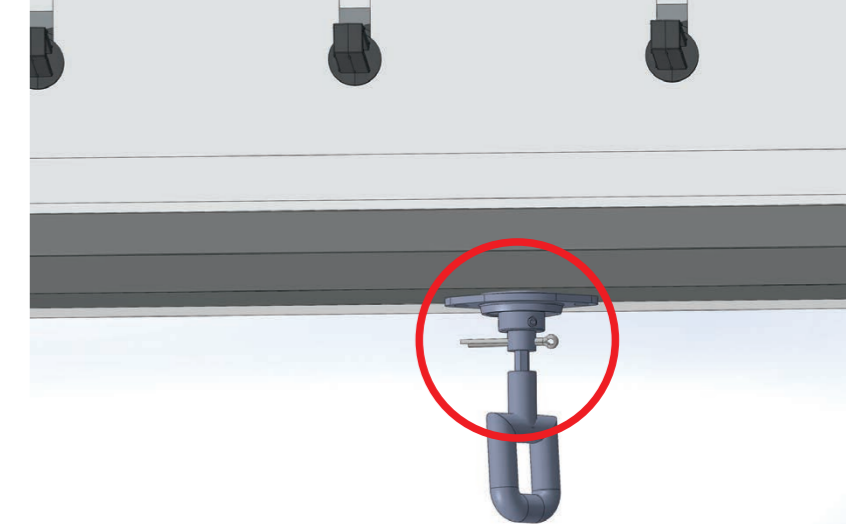
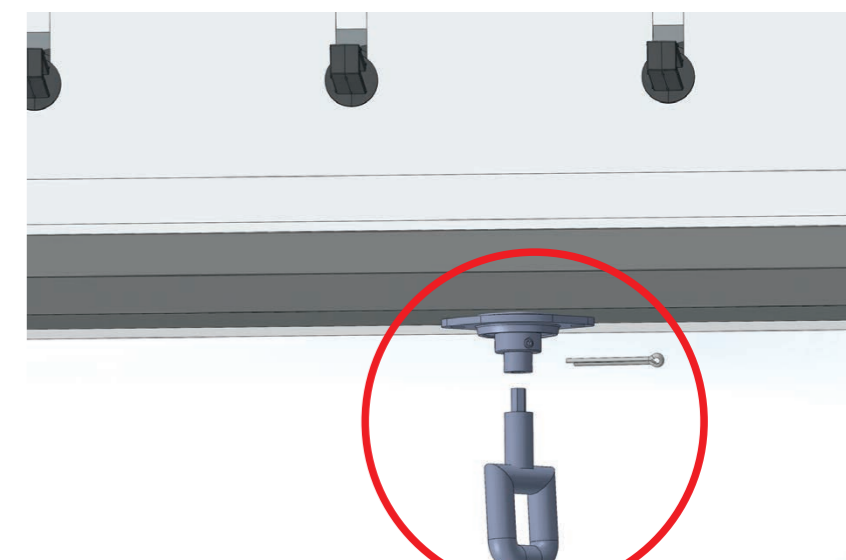
21

To install this dropper you will need the use of a 65mm hole saw.  
Use the sealant to seal the dropper covering the join in its entirety for a water tight seal.



36. Install winder handle into coupling. Line up the holes for the handle to match the coupling.

22



37. Slide split pin through the entire way and bend the ends around to complete connection.

HOW TO USE AND OPERATE THE WINDING HANDLE CORRECTLY.

23

For the best results in operating the winding handle, make sure you have hooked the handle into the eye of the adjusting fin assembly correctly. Stand slightly away from the frame and turn slowly with one hand on the shaft, and the other on the handle itself. Turning left will make the fins close and to the right to open.



NOTE: Do not force the fins or blades when close to fully open or fully closed positions.

OPENING AND CLOSING

- If opening louvres immediately after rain, rotate the fins to a half open position. This will assist the water to drain away and help to avoid the louvres from dripping.
- If snow has settled on top of the louvre, wait until it has completely cleared before opening. Opening in snow conditions can lead to damage.
- If frost settles on top of the louvre, wait until it has cleared before opening. Some frost conditions can cause the louvre fins to stick together. Opening the LouvreKit™ system in these conditions can cause damage.

CARE AND MAINTENANCE

- Clean your louvre system once a month with a damp cloth or hose and brush using a car cleaning product or other PH neutral cleaner. Do not use any abrasive products or any petro-chemical based products as this could damage the powder coating.
- Ensure the gutters are free from leaves and debris. Pay particular attention to the water outlet and downpipes.
- In the event of extremely high winds, open the louvre system to reduce possible wind damage.



LouvreKit  
www.louvrekit.co.nz

LouvreKit  
www.louvrekit.co.nz

Covered product:

Size: 3mx3m, 4mx3m, 5mx3m.

Colour: Matt Appliance White, Metropolis Silver Pearl, Matt Black

Client Name:

Address:

LOUVREKIT WARRANTY

Warranty Coverage:

LouvreKit Limited will warrant the Covered product to be free of all defects in materials for 3 years from ..... / ..... / .....  
This warranty extends to the original buyer and each successive buyer within the warranty period. Within the period of this warranty, LouvreKit Limited will replace, free of charge, any part proving defective in materials.  
All expenses related to defective materials & shipping under this warranty shall be assumed by LouvreKit Limited.

Warranty Exclusions:

This warranty does not apply to any costs for the following:  
1. Replacement parts necessitated by use other than normal use.  
2. Damage resulting from misuse, abuse, accidents, alterations..  
3. Any unauthorised additions eg: lights, heaters, signage, gas works etc.  
4. Surface Coating: The Customer understands, acknowledges and accepts that Powder coat varies in grade and quality from "Polyester Powders" to "High Performance Polyester Powders". "High Performance Polyester Powders" will retain their original colour and gloss for substantially longer periods than will standard "Polyester Powders". LouvreKit Limited provides no guarantee for "Polyester Powders" retaining their original colour and gloss. Powder coat surface finish defects and blemishes which are readily apparent to the naked eye at a distance of two meters are considered acceptable.