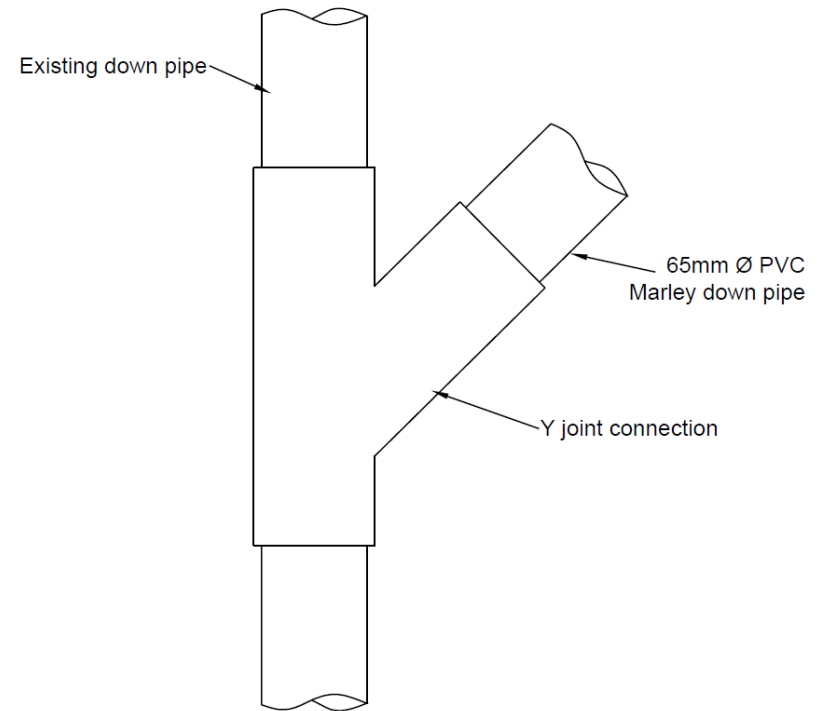


4 STORM WATER CONNECTION
- SCALE 1:5



3 Y JOINT CONNECTION
- SCALE 1:5