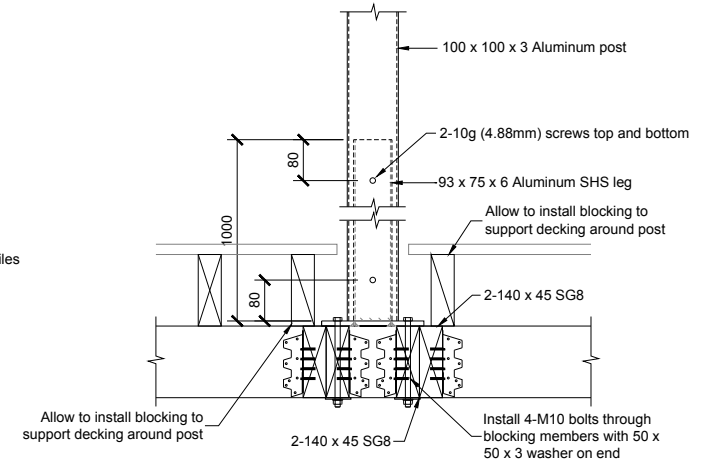
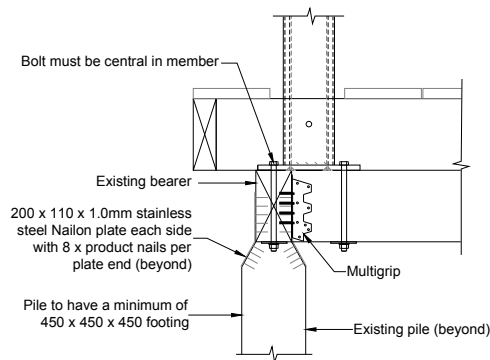


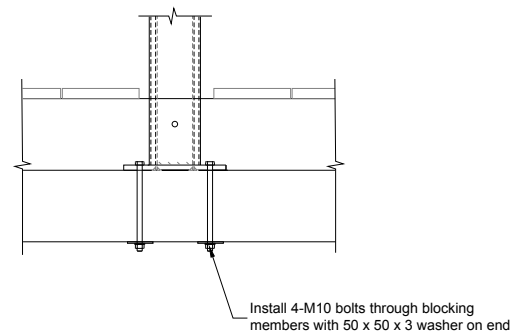
6 LOUVRE POST ON BEARER CONNECTION - PLAN VIEW
SCALE 1:10



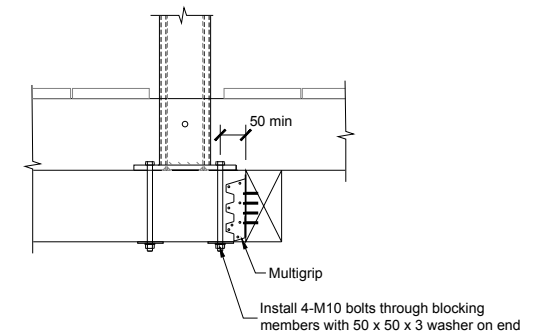
002 LOUVRE POST TO DECK BEARER CONNECTION
SCALE 1:10



003 LOUVRE POST TO DECK OPTION 1
SCALE 1:10



004 LOUVRE POST TO DECK OPTION 2
SCALE 1:10



005 LOUVRE POST TO DECK OPTION 3
SCALE 1:10